

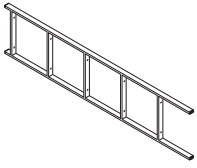
# Colbe shelf tall

Assembly instructions

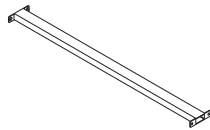
For assembly assistance,  
visit [fully.com/instructions](https://fully.com/instructions)  
or [fully.eu/contact](https://fully.eu/contact)

**fully**

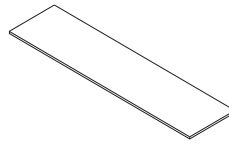
# Parts



(A) Shelf Leg x2



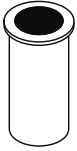
(B) Crossbrace x2



(C) Shelves x5



(D) Small Machine Screws x8



(E) Screw Guide x1

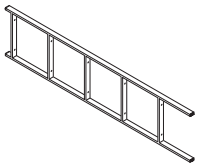


(F) Hex wrench

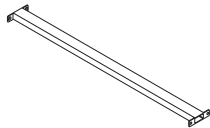


(G) Desktop Screws x20

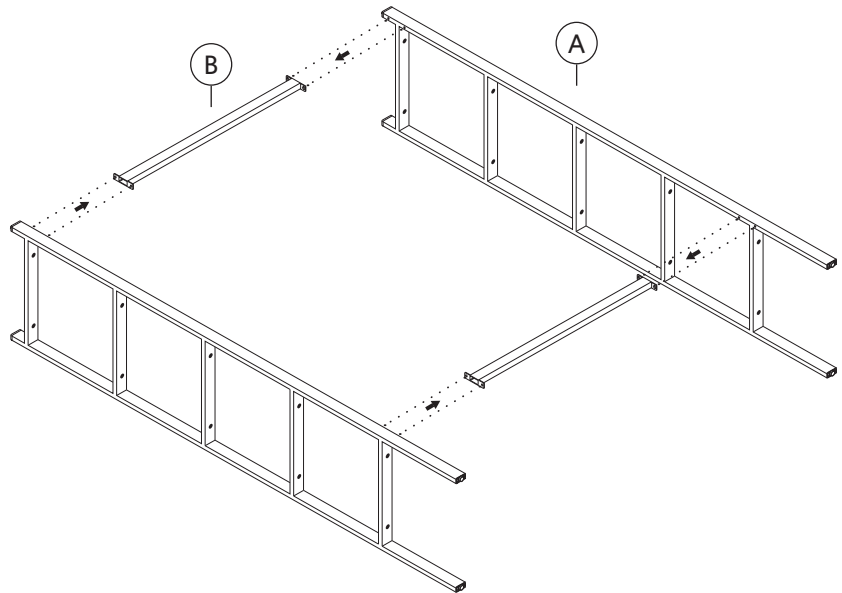
1



(A) Shelf Leg x2



(B) Crossbrace x2



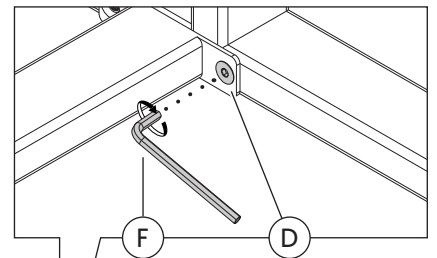
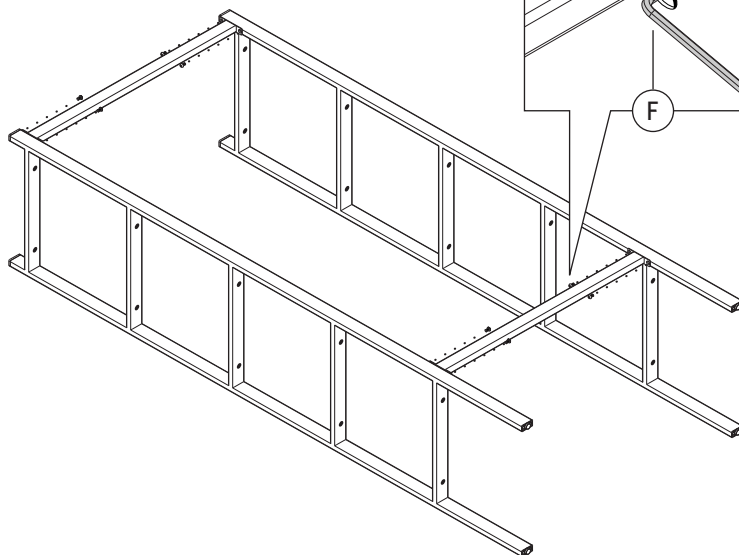
2



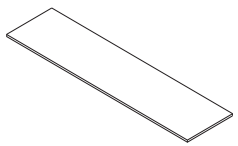
(D) Small Machine Screws x8



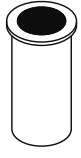
(F) Hex wrench



3



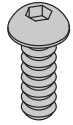
(C) Shelves x5



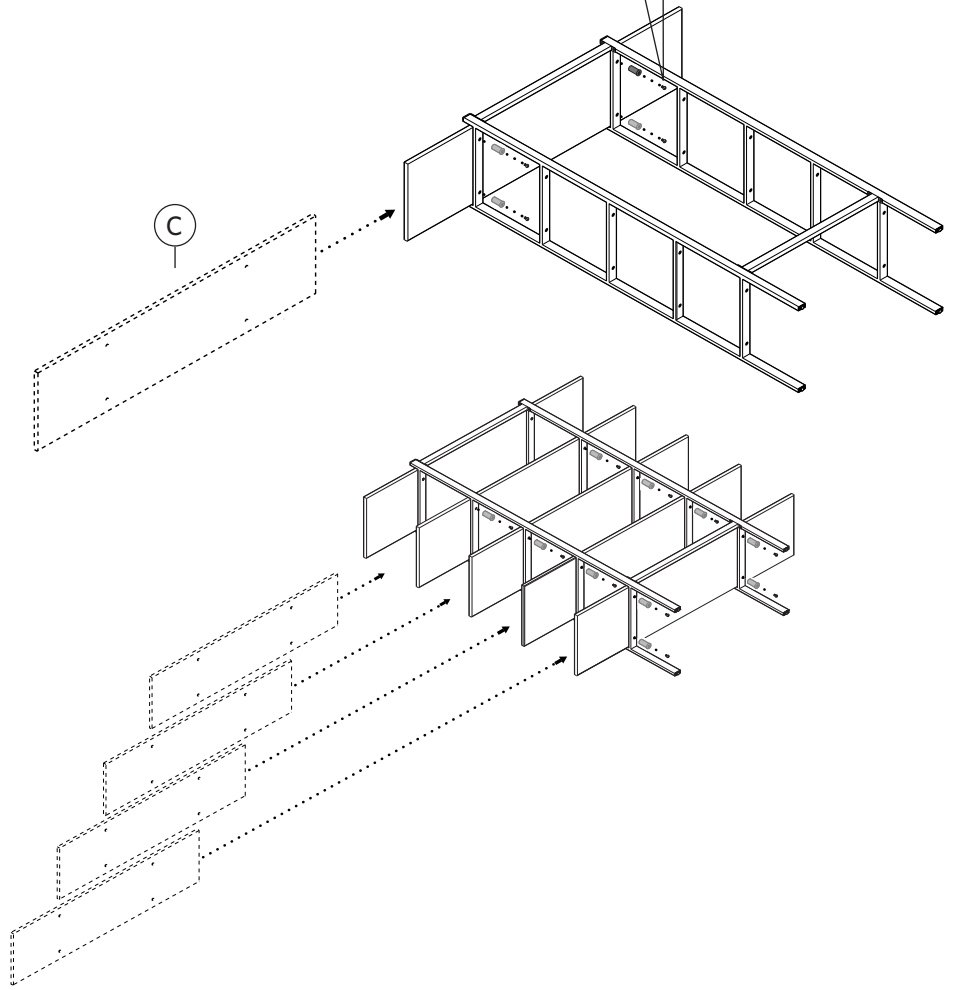
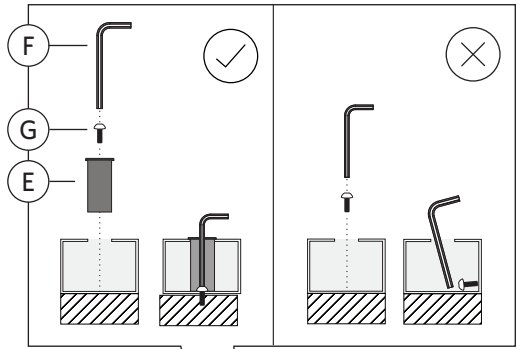
(E) Screw Guide x1



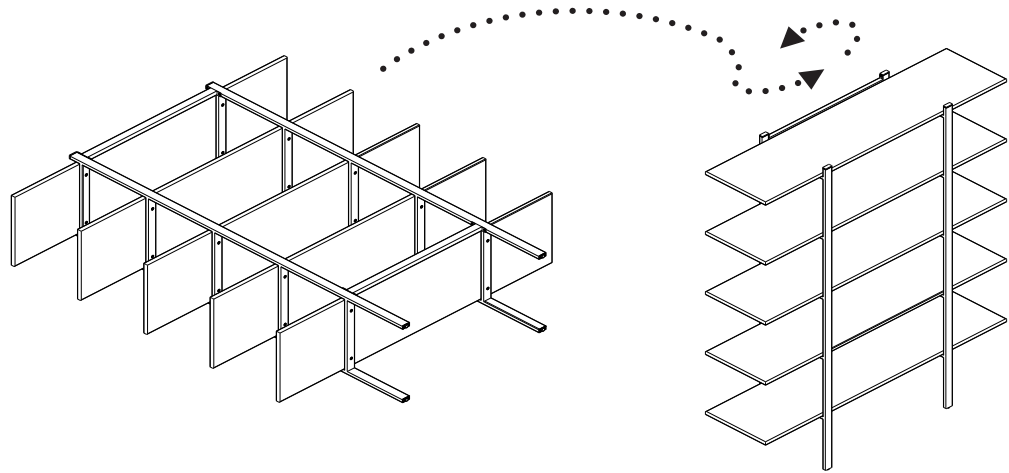
(F) Hex wrench



(G) Desktop Screws x20



4



Everything you need  
to find your work flow

